

Microminiature Pushbutton Switches for SMT



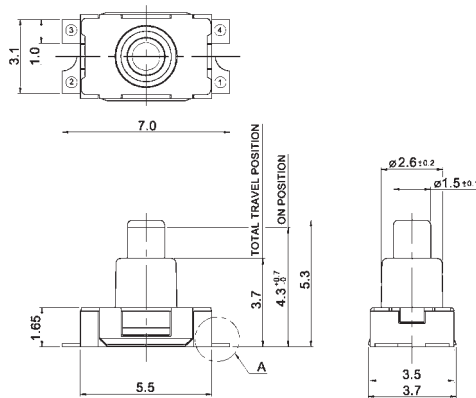
Specifications:

Contact rating:	5 V DC, 1 mA
Contact resistance:	< 100 mΩ (initial); < 200 mΩ (after 100 000 cycles)
Insulation resistance:	> 1 000 MΩ at 100 V DC for 1 minute
Dielectric strength:	250 V AC (50/60 Hz, 2 mA) for 1 minute
Operating temperature:	-40° to +85° C
Mechanical life:	minimum 100 000 cycles
Material:	Spring: steel, SWP Upper contact plate: stainless steel Lower contact plate: copper alloy, gold plated Terminal: copper alloy, silver plated Base / cover: polyamide resin, white Button: polyamide resin, black Shielding: stainless steel
Operating force:	200 gf max.

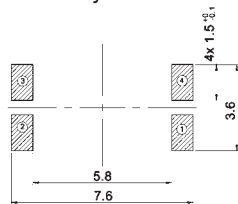
Models: Switching functions

SSP 129 T

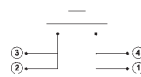
off – mom



PCB Layout



Circuit diagram



Packing:
770 pcs/reel

